

TUFF

select

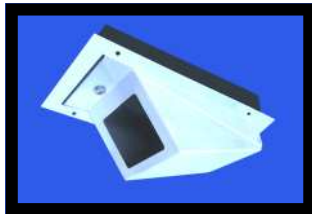
tuffcctv@aol.com

CCTV HOUSINGS

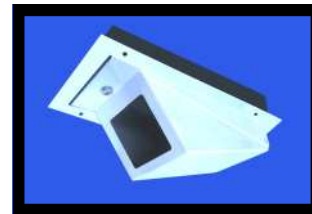
2.5mm zinc plated steel
1/4 turn key lock

2.0mm 304 stainless steel
Hi Security Bilock

TW05

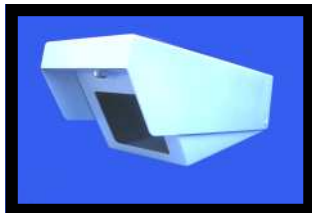


Recessed mount

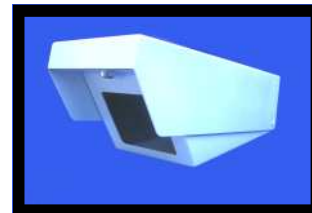


TW06

TW07



Pole or Wall
mount



TW08

TW09


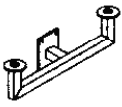
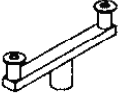



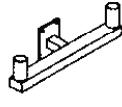
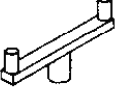




Ceiling mount



TW10

Standard Range of mounting hardware

FLANGE	wall mount	pole mount	pan & tilt	pole side mount
				
TM15	TM25	TM29	TM09	TM13
				
TM14	TM24	TM28	TM08	TM07
TUBE	wall mount	pole mount	pan & tilt	pole top adaptor

Custom mountings made to order contact tuffcctv@aol.com

The "Tuff" brand is owned and manufactured by Redtail Design Pty Ltd. Perth WA