

TUFF

TW06

CCTV HOUSINGS

tuffcctv@aol.com

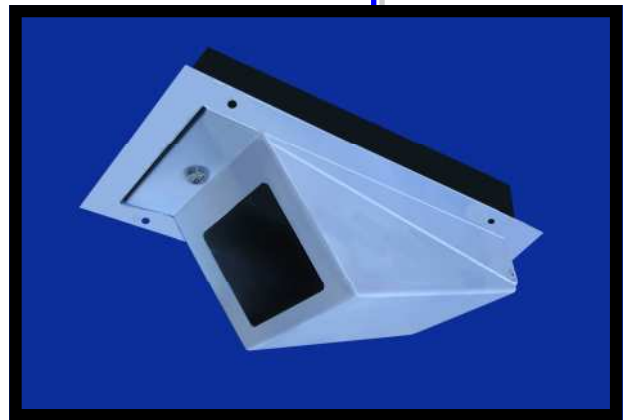
TW06 HI GRADE RECESS MOUNTED WEDGE CAMERA HOUSING

Tuff constructed high security housing for recess mounting into ceilings where vandalism is an issue due to low height installation.

Housing includes internal camera mounting brackets allowing for a complete range of adjustments

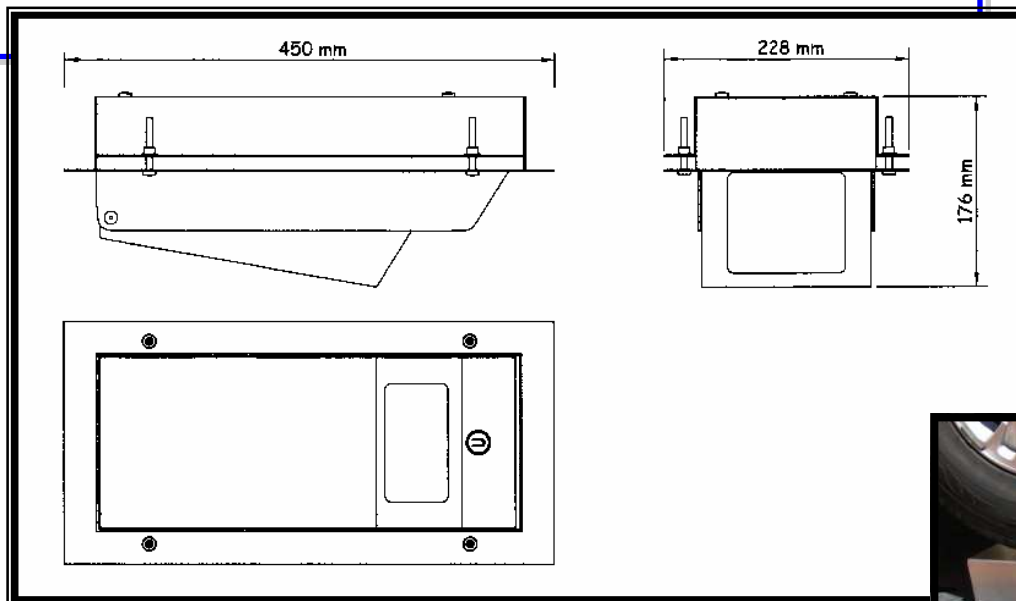
Spec

Matl: 2.0mm 304 Stainless Steel
Finish: Powder Coated White
Lens: 6mm Polycarbonate
Lock: Hi Security Bi Lock
Access: 1 x 25mm dia
Weight: 6kg
Ceiling cutout: 400mm L x 200mm W



Options

- H Thermostatically controlled heater
- T Tamper switch



The "TUFF" brand is owned and manufactured by Redtail Design Pty Ltd. Perth, WA